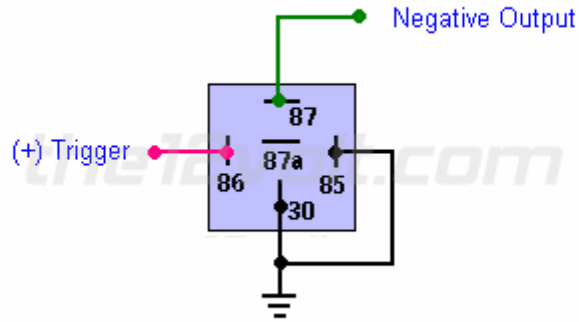


Convert a Positive Output to a Negative Output

If you have a switch or an alarm or keyless entry that has a positive output that you wish to use to switch a device that requires a ground such as a horn, dome light, parking lights, head lights, hatch release, etc., wire a relay as shown below to convert the positive output (trigger) to a negative output.



Here's the same configuration showing a positive output from an alarm or remote keyless entry used to activate a vehicle's parking light relay that requires a ground to turn the lights on.

