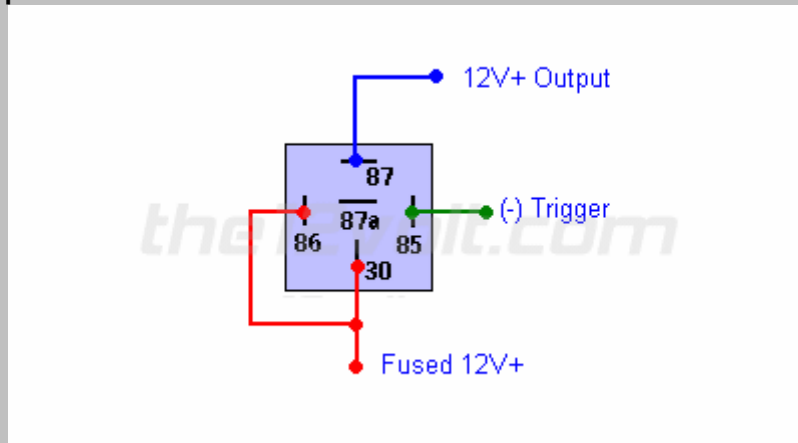


Convert a Negative Output to a Positive Output

If you have a switch or an alarm or keyless entry that has a negative output that you wish to use to switch a device that requires 12V+ such as a horn, dome light, parking lights, head lights, hatch release, etc., wire a relay as shown below to convert the negative output (trigger) to a positive output.



Here's the same configuration showing a negative output from an alarm or remote keyless entry used to activate a trunk release solenoid that requires 12V+ to release the trunk.

